

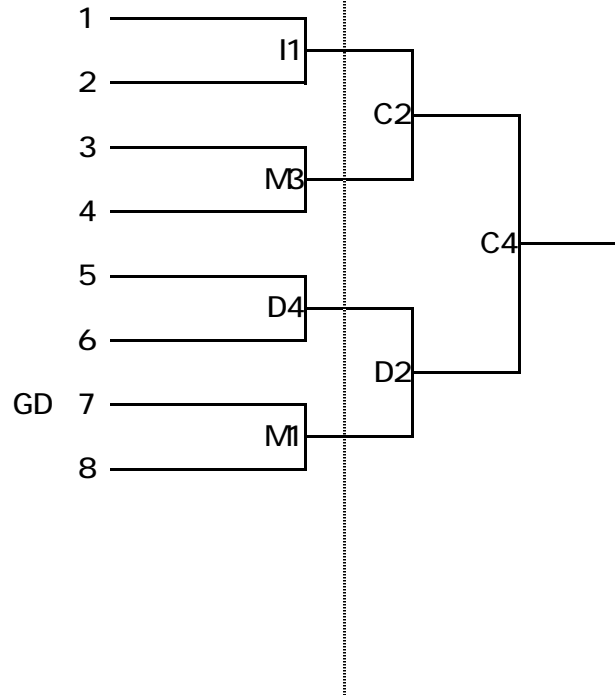
18

11

< >

7/2

7/9



	AB
	CD
	EF
	GH
	IJK
	LM
	NO
	PQ

1	
2	
3	
4	

< >

7/9

7/16

7/23

